

4

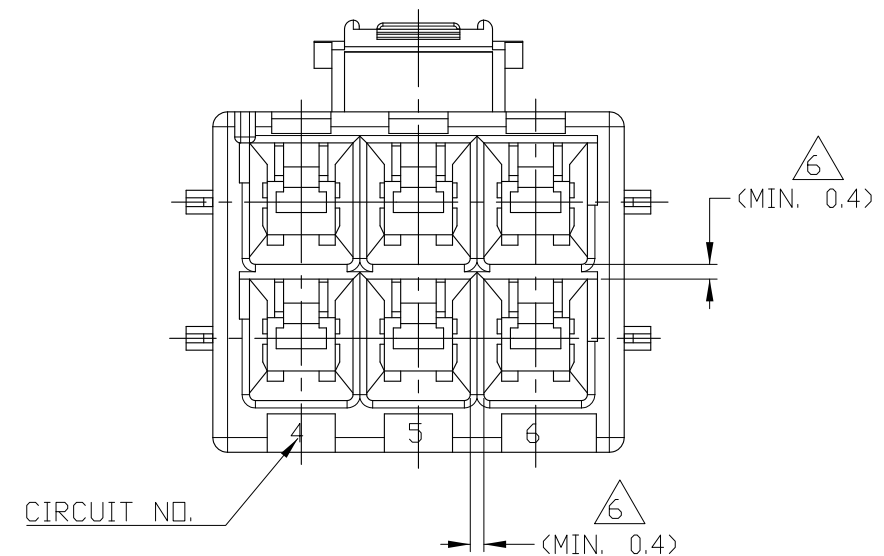
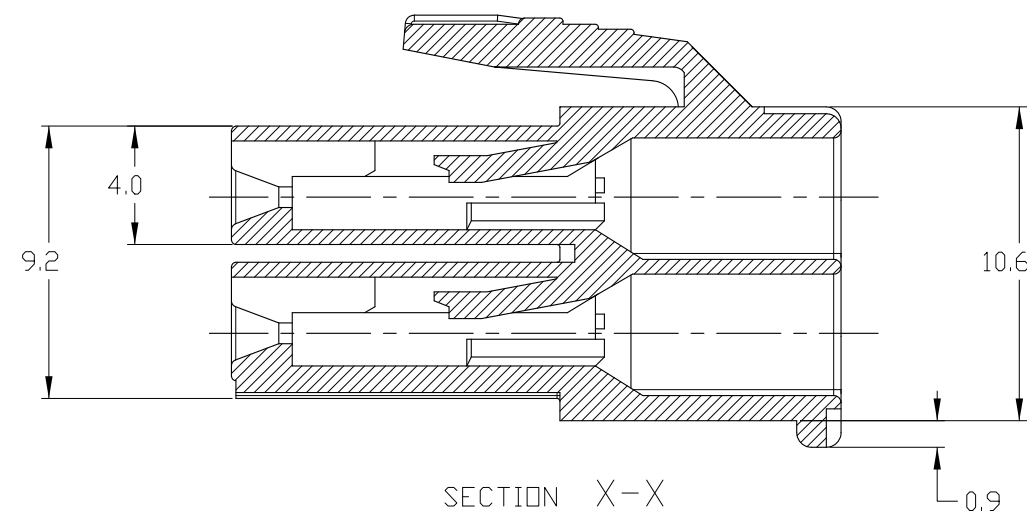
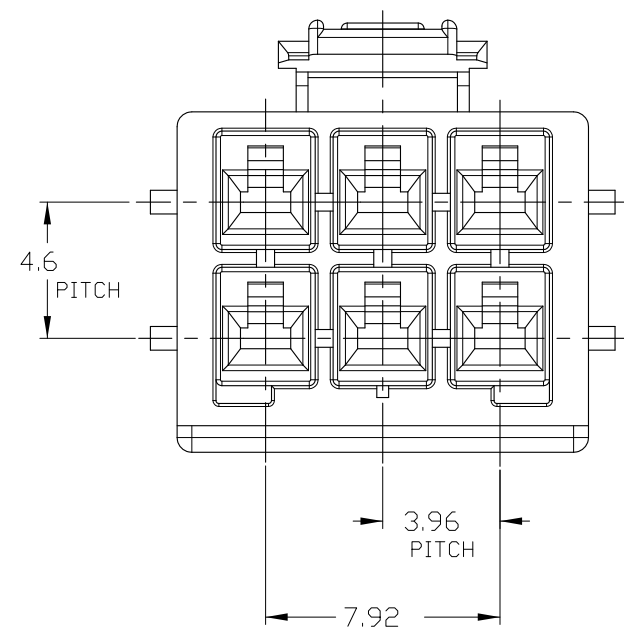
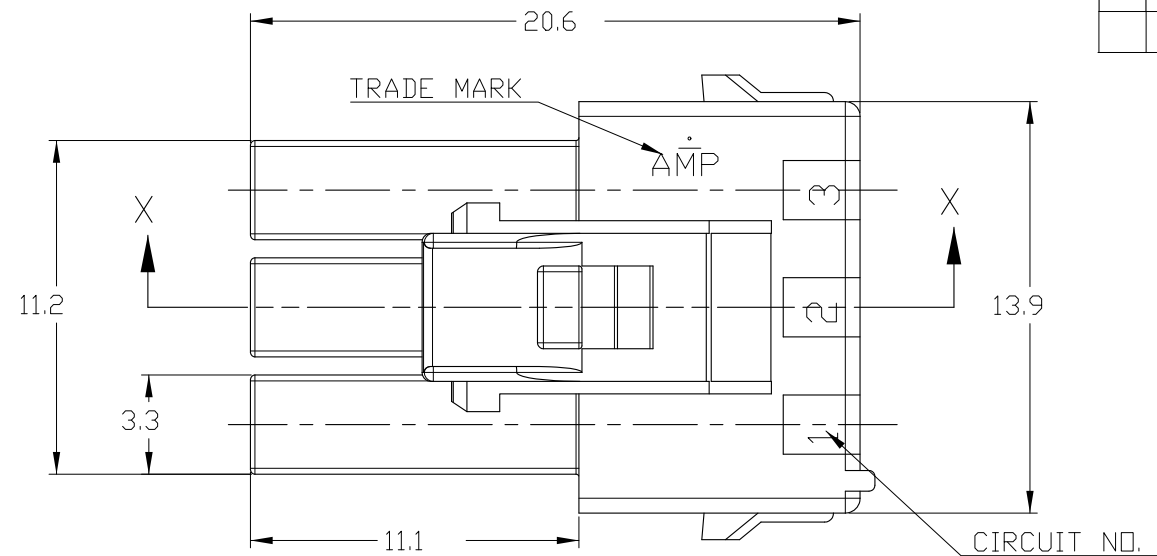
3

2

1

THIS DRAWING IS UNPUBLISHED. RELEASED FOR PUBLICATION 20  
© COPYRIGHT 20 BY TYCO ELECTRONICS CORPORATION. ALL RIGHTS RESERVED.

LOC	DIST	REVISIONS			
P	LTR	DESCRIPTION	DATE	DWN	APVD
DS	-				
	B	REVISED (ECR-07-005158)	14.MAR'07	SC	JK
	C	REVISED (ECR-09-011788)	25.MAY'09	SC	JK



NOTE;  
 1.APPLICABLE CONTACT P/N  
 -REC CONTACT:177915- □(AWG#16-#20)  
 :177914- □(AWG#22-#26)  
 2.MATING CONN.P/N  
 -CAP HSG:2005253- □(FREE HANGING)  
 368588-□(PANEL MOUNT)  
 -TAB CONTACT: 177917- □(AWG#16-#20)  
 177916- □(AWG#22-#26)  
 -PC BOARD MOUNT(ASS'Y):179841- □  
 3.APPLICABLE DOUBLE LOCK PLATE:177919-1  
 \*IT SHOULD BE USED CERTAINLY WHEN CABLE ASS'Y  
 4.GENERAL TOLERANCES:±0.3  
 5.ACCORDING TO IEC 60335-1 4.2 EDITION  
 -PART MEETS GWT 750°C,850°C.  
 -MATERIAL MEETS BALL PRESSURE TESTING AT 125°C.  
 -MATERIAL HAS CTI VALUE OF 250V.  
 6.MIN.THICKNESS OF INSULATING WALL

③	368576-6	BLUE
③	368576-4	YELLOW
③	368576-2	RED
③	368576-1	NATURAL
	P/N	COLOR

DIMENSIONS:		TOLERANCES UNLESS OTHERWISE SPECIFIED:		DWN		Tyco Electronics		AMP KOREA	
mm		0 PLC	±-	SC KIM		Kyungsan, Korea			
		1 PLC	±0.5	CHK	BW KANG	NAME			
		2 PLC	±0.13	APVD	JK SONG	PDL 6P PLUG 3.96mm D/R (GWT)			
		3 PLC	±0.013	PRODUCT SPEC		SIZE	CAGE CODE	DRAWING NO	RESTRICTED TO
		4 PLC	±0.0001	APPLICATION SPEC		A3	00779	③- 368576	-
		ANGLES	±-			SCALE	SHEET	OF	REV
MATERIAL	FINISH			WEIGHT	-	4:1	1	1	C
PA66(UL94V-0)				CUSTOMER DRAWING					